

### Contemporary Series Lavatory Faucet

## Features

- Contemporary styling



## Specifications

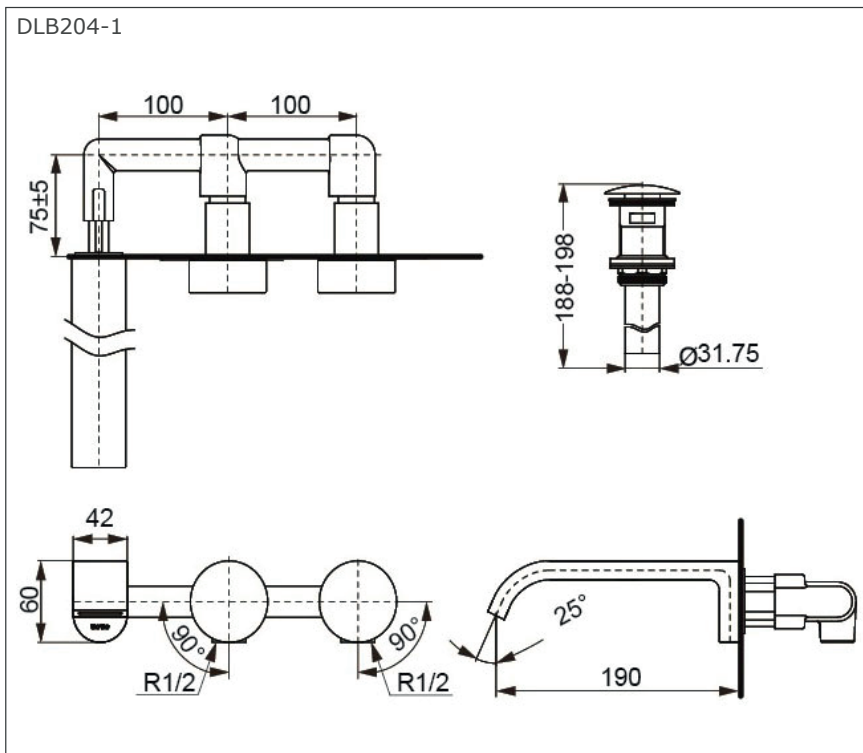
Finish : Chrome

Water Pressure : 0.05MPa~0.75MPa

Material : Brass

## Parts Description

- DLB204-1**  
Lavatory Faucet  
W/ Pop-up Waste



Please consult a TOTO representative for details